



WING KNOBS FOR QUARTER-TURN LATCHES

Wing knobs for quarter turn latches in two versions:

For standard insert: the wing knob can be mounted afterwards and parts do not protrude during transportation. Supplied with screw and screw cover.

Cast-in insert: housings for classic wing knob with product number 295074 is available upon request only.

MATERIAL

Cover plug: Glass fibre reinforced polyamide (PA6GF30)

Insert: Zinc die cast, zinc plated

Knob: Glass fibre reinforced polyamide (PA6GF30)

Screw: Steel, zinc plated

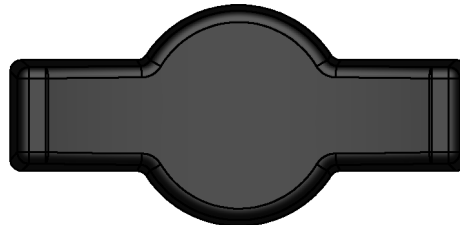
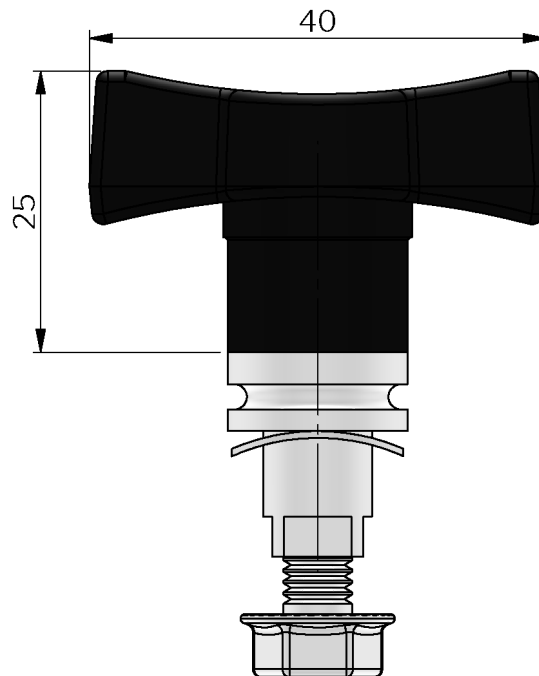
RELATED PRODUCTS

Housings: 2-021

Cams: 2-481, 2-480

Quarter-turns: 2-020, 2-040, 2-060, 6-110, 6-115

Use the Index Code at industrilas.com



P/N	Description	For Housing	For insert
295068	Wing knob for standard insert	-	Square 8 / M6
295068-RF	Wing knob for standard insert stainless steel 304	-	Square 8 / M6 (SS 304)
295069	Wing knob for standard insert	-	Triangle 10 / M6
295074	Wing knob Classic with cast-in insert	18 mm	-
295074-IB	Wing knob vibration resistant with cast-in insert	18 mm - IB	-